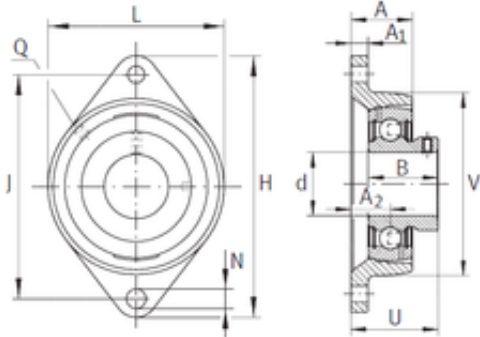




Bearing USA CORP.

INA PCJTY5/8 bearing units



PCJTY5/8 Bearing 2D drawings and 3D CAD models

Bearing No. PCJTY5/8

Bore Diameter	15,875 mm
d	15,875 mm
V	56,998 mm
U	32,995 mm
Thread (Q) - 1/4-28 UNF	1/428 UNF
A	24,003 mm
A1	10,008 mm
B	21,996 mm
H	99,009 mm
J	76,505 mm
L	56,998 mm
N	11,506 mm
A2	16,993 mm
Category	Flange Block Bearings
Inventory	0.0
Manufacturer Name	SCHAEFFLER GROUP
Minimum Buy Quantity	N/A
Weight / Kilogram	0.4
Product Group	M06110
Number of Mounting Holes	2
Mounting Method	Set Screw
Housing Style	2 Bolt Flange Block
Rolling Element	Ball Bearing
Housing Material	Cast Iron
Expansion / Non-expansion	Non-expansion
Mounting Bolts	29/64 Inch



Bearing USA CORP.

Relubricatable	Yes
Insert Part Number	GAY010NPPB
Seals	Double Lip Contact
Housing Configuration	1 Piece Solid
Pilot Configuration	No Pilot
Inch - Metric	Inch
Long Description	2 Bolt Flange Block; 5/8" Bore; 3" Bolt Circle; 3.012" Bolt Spacing; 1 Piece Solid; Set Screw Mount; Cast Iron; Ball Bearing; 0.866" Length Thru Bore; Relubricatable; Double Lip Co
Other Features	Single Row With Grub Screw
Category	Flange Block
UNSPSC	31171501
Harmonized Tariff Code	8483.20.40.40
Noun	Bearing
Keyword String	Flanged
Manufacturer URL	http://www.ina.com
Manufacturer Item Number	PCJTY5/8
Weight / LBS	0.882
Cartridge Pilot Diameter	0 Inch 0 Millimeter
Length Thru Bore	0.866 Inch 22 Millimeter
Cartridge Pilot Depth	0 Inch 0 Millimeter
Bolt Spacing	3.012 Inch 76.5 Millimeter
Bore	0.625 Inch 15.875 Millimeter
Nominal Bolt Circle Diameter Round	3 Inch 76 Millimeter