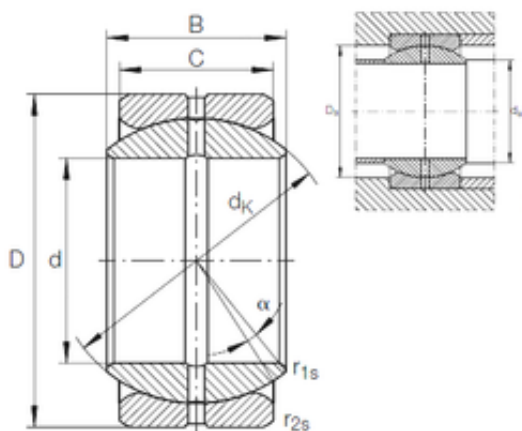




## Bearing USA CORP.

34,925 mm x 55,563 mm x 30,15 mm INA GE  
34 ZO plain bearings

Bearing No. GE 34 ZO



GE 34 ZO Bearing 2D drawings and 3D CAD models

Size	34.925x55.563x30.15 mm
Bore Diameter	34,925 mm
Outer Diameter	55,563 mm
Width	30,15 mm
d	34,925 mm
D	55,563 mm
B	30,15 mm
C	26,187 mm
dk	49 mm
r1 min.	0,6 mm
r2 min.	1 mm
da max	38,6 mm
Da min	43,5 mm
Angle	6 °
Weight	0,29 Kg
Basic dynamic load rating (C)	102 kN