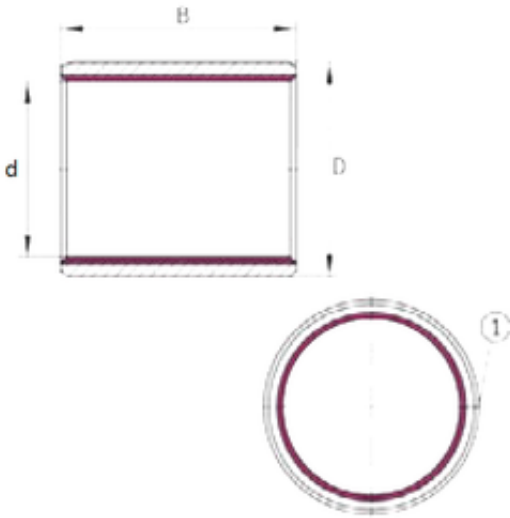




Bearing USA CORP.



4,763 mm x 6,35 mm x 6,35 mm INA
EGBZ0304-E40 plain bearings

Bearing No. EGBZ0304-E40

EGBZ0304-E40 Bearing 2D drawings and 3D CAD models

Size	4.763x6.35x6.35 mm
Bore Diameter	4,763 mm
Outer Diameter	6,35 mm
Width	6,35 mm
d	4,763 mm
D	6,35 mm
B	6,35 mm
Category	Sleeve Bearings
Inventory	0.0
Manufacturer Name	SCHAEFFLER GROUP
Minimum Buy Quantity	N/A
Weight / Kilogram	0.007
Product Group	B04264
Profile	Bushing No Flange Split
Material Description	Steel Backing, Bronze Innerstructure, PTFE-lead Overlay
Material	Permaglide P10
Inch - Metric	Inch
Long Description	3/16" Nominal Bore; 1/4" Nominal Outside Diameter; 1/4" Length Thru Bore; Bushing No Flange Split Profile; Steel Backing, Bronze Innerstructure, PTFE-lead Overlay; Permaglide P10 Materi
Category	Sleeve Bearings



Bearing USA CORP.

UNSPSC	31171515
Harmonized Tariff Code	84833080
Noun	Bearing
Keyword String	Plain
Manufacturer URL	http://www.ina.com
Manufacturer Item Number	PAPZ0304P10
Weight / LBS	0.015
Length Thru Bore	0.25 Inch 6.35 Millimeter
Nominal Outside Diameter	0.25 Inch 6.35 Millimeter
Nominal Bore	0.188 Inch 4.775 Millimeter