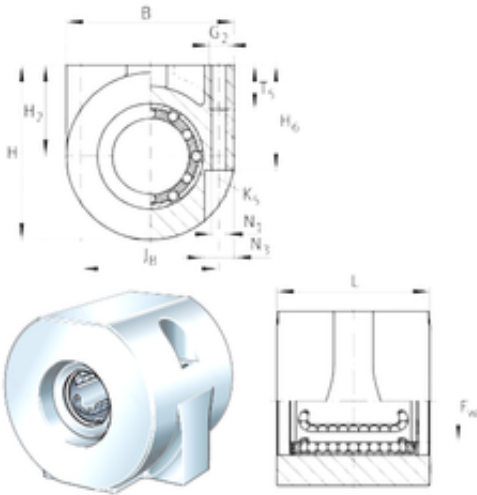




# Bearing USA CORP.

## INA KGHA30-PP bearing units



Bearing No. KGHA30-PP

Bore Diameter	30 mm
Width	65 mm
Fw	30 mm
H6	39 mm
B	65 mm
H	67,5 mm
H2	35 mm
L	59 mm
N1	6,7 mm
Thread (G)	M8
N2	11,1 mm
JB	54 mm
T5	20 mm
Thread (K5)	M6
Weight	0,86 Kg
Basic dynamic load rating (C)	3,3 kN

KGHA30-PP Bearing 2D drawings and 3D CAD models