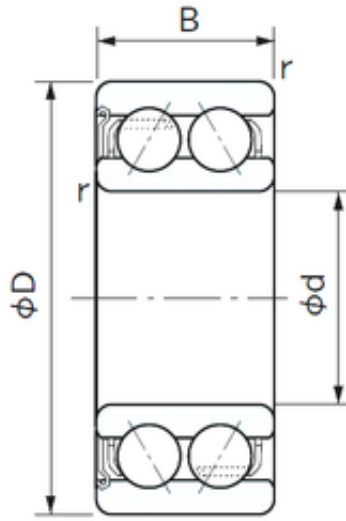




Bearing USA CORP.



35 mm x 72 mm x 27 mm NACHI 5207Z
angular contact ball bearings

Bearing No. 5207Z

Size	35x72x27 mm
Bore Diameter	35 mm
Outer Diameter	72 mm
Width	27 mm
d	35 mm
D	72 mm
B	27 mm
C	27 mm
Angle ()	30 °
r min.	1.1 mm
Weight	0.430 Kg
Basic dynamic load rating (C)	35 kN
Basic static load rating (C0)	25,9 kN

5207Z Bearing 2D drawings and 3D CAD models