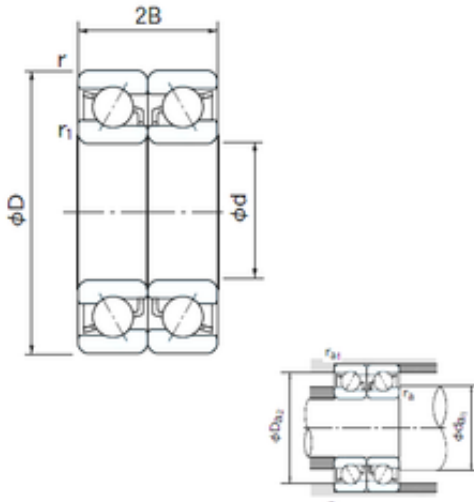




Bearing USA CORP.



105 mm x 225 mm x 49 mm NACHI 7321CDB
angular contact ball bearings

Bearing No. 7321CDB

7321CDB Bearing 2D drawings and 3D CAD models

Size	105x225x49 mm
Bore Diameter	105 mm
Outer Diameter	225 mm
Width	49 mm
d	105 mm
D	225 mm
B	49 mm
C	49 mm
Angle (°)	15 °
a -	5.3 mm
r min.	3 mm
r1 min.	1.1 mm
2B	98 mm
da min.	119 mm
Da max.	218 mm
ra max.	1 mm
Weight	9.34 Kg
Basic dynamic load rating (C)	365 kN
Basic static load rating (C0)	425 kN
(Grease) Lubrication Speed	3800 r/min
Bore Type	Cylindrical Bore
Enclosure	Open
Configuration	Duplex
Bore Size	105 mm
Outside Diameter	225 mm



Bearing USA CORP.

Width	49 mm
Fillet Radius/Chamfer	3 mm
r1	1.1 mm
Dynamic Load Rating	365,000 N
Static Load Rating	425,000 N
Limiting Speed - Grease	3,800 rpm
Limiting Speed - Oil	5,400 rpm
da1 (min)	119 mm
da2 (min)	119 mm
Da1 (max)	211 mm
Da2 (max)	218 mm
ra (max)	2.5 mm
ra1 (max)	1 mm