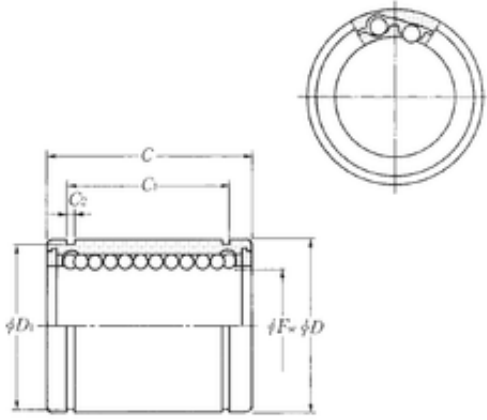




Bearing USA CORP.

NTN KLM04 linear bearings

Bearing No. KLM04



KLM04 Bearing 2D drawings and 3D CAD models

Size	4x8x12 mm
Bore Diameter	4 mm
Outer Diameter	8 mm
Width	12 mm
Fw	4 mm
D	8 mm
C	12 mm
Weight	0,003 Kg
Basic dynamic load rating (C)	71 kN